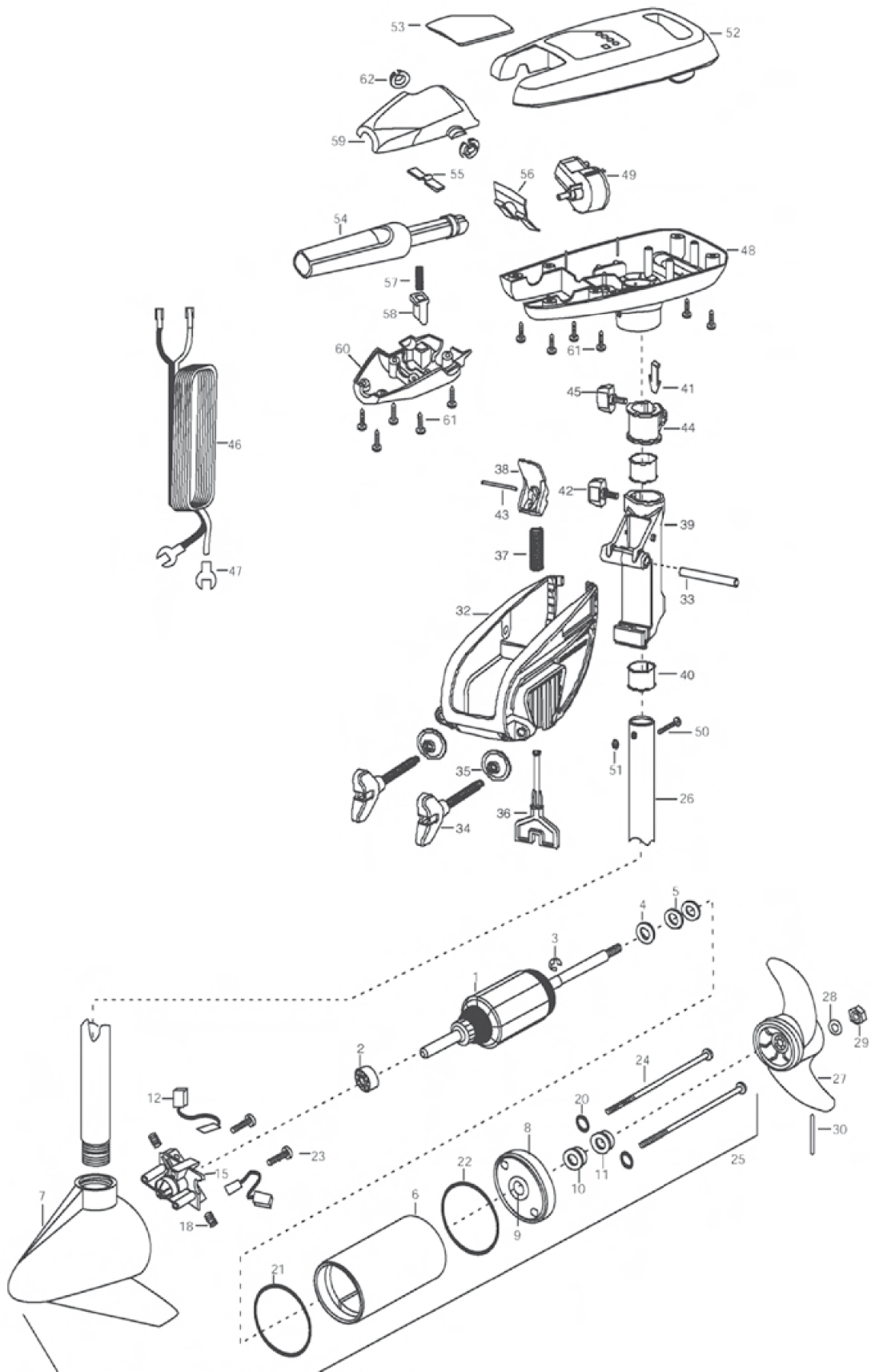


## ENDURA CAMO 44





MINN KOTA®

## ENDURA CAMO 44

1	2-100-201	ARMATURE ASSEMBLY 12V 3.25 40#	36	2063605	T-BAR PLASTIC
2	140-010	BEARING-BALL	37	2062706	SPRING- T-BAR ENDURA
3	788-015	RETAINING RING	38	2067201	LEVER- TILT BLACK ENDURA
4	990-067	WASHER - STEEL THRUST	39	2061810	HINGE-PLASTIC
5	990-070	WASHER - NYLATRON [2.EA]	40	2037301	BUSHING-HINGE [2.EA]
6	2-200-079	HOUSING ASSEMBLY CENTER 3.25 TXT	41	2062800	TENSION BLOCK- SNAP IN
7	2-300-132	HOUSING ASSEMBLY BRUSH END 3.25 SP.CO.	42	2011385	SCREW-TENSION/NEW KNOB
8	2-400-128	PLAIN END HOUSING ASSEMBLY 3.25	43	2060515	PIN- TILT LEVER
9	144-049	BEARING - FLANGE [SERVICE ONLY]	44	2061520	COLLAR-DEPTH ((ENDURA)
10	880-003	SEAL	45	2011365	SCREW-COLLAR/NEW KNOB
11	880-006	SEAL WITH SHIELD	46	2050609	LEADWIRE 10 GA SPADE TERM
12	188-052	BRUSH ASSEMBLY [2.EA]	47	2020702	TERMINAL SPADE 10GA [2. EA]
15	738-030	BRUSH PLATE W/HOLDER 3.25 ASSEMBLY	48	2067706	CONTROL BOX CAMO W/HAND 5SPD
18	975-032	SPRING - COMPRESSION [2.EA]	49	2064023	SWITCH-FWD/REV 5SPD
20	701-007	O-RING [2. EA]	50	2033400	SCREW-10-24 K 1-3/4
21	701-041	O-RING	51	2013110	NUT-10-24 HEX
22	701-039	O-RING MK406460	52	2060284	CONTROL BOX COVER-(CAMO)
23	830-001	SCREW - SELF-THREAD 8-32X1.7 [2.EA]	53	2095669	DECAL-COVER, 44XL CAMO
24	830-078	THRU BOLT 8-32 X 8.96 [2. EA]	54	2990918	HANDLE ASSEMBLY-W/U-JOINT 5SPD
25	2068250	MOTOR ASSEMBLY 12V3.25 5SPD TXT	55	2302742	SPRING-DETENT OFF (SS)
26	2067711	TUBE (COMP)/CS K HOLE 36" CAMO DIPPED	56	2302743	SPRING-DETENT HANDLE-TILT
■	1378121	PROPELLER KIT	57	2302745	SPRING-RELEASE BUTTON (SS)
27	2061122	PROPELLER	58	2303720	RELEASE BUTTON-HANDLE
28	2151726	WASHER-PROP (MEDIUM)	59	2067708	HANDLE (TOP HALF) CAMO
29	2053101	NUT-PROP NYLOC	60	2067707	HANDLE (LOWER HALF) CAMO
30	2092600	PIN-DRIVE (SS)	61	2303412	SCREW-6-20 x 5/8 SELF TAP [11 EA]
■	2771810	BRACKET & HINGE ASSEMBLY- CAMO	62	2060005	BEARING-HANDLE PIVOT [2. EA]
■	2771910	BRACKET W/CLAMP SCREW ASSEMBLY (INCL.32.34,35)			
*32	2061910	BRACKET PLASTIC			
33	2060510	PIN-HINGE- ENDURA			
*34	2061300	SCREW- CLAMP			
*35	2011710	WASHER- CLAMP SCREW 1.5OD			
■	2881300	CLAMP SCREW, WASHER, RETAINER KIT			

\* This item is part of an assembly. This item cannot be sold separately due to machining and /or assembly that is required.